

Chimney Fan

RSV 009-016

Description

The RSV is a mechanical draft fan intended for use as part of a chimney, stack or vent system. The fan is installed at the chimney termination point, and can be mounted vertically or side-wall vented. The fan ensures a negative pressure in the entire chimney or stack system. Discharge is vertical (horizontal if side-wall vented) at a high velocity.

The fan housing is hinged and the top can be opened for easy service and access to stack.

The RSV fan is for use with gas, LP gas and oil fired heating appliances. It is approved for use in systems where flue gas temperatures do not exceed 625°F (329°C) for intermittent operation and 575°F (302°C) for continuous operation.

The RSV is a component in the CASV Chimney Automation System.

Material

Housing is made of cast aluminum with a thickness of 3/16" and is corrosion resistant. One coat of grey hammerpaint finish is applied.

Axial vanes in stainless steel, dynamically and statically balanced to assure low noise level and vibration-free operation.

Motor

Split capacitor, totally enclosed. Class F insulated, IP54 Protection Class. Sealed ball bearings. Variable Speed. Thermal overload protection.

Standard Equipment

2"x4" or 4"x4" junction box with cover and conduit
Bird Screen

Optional Equipment

5Amp or 8Amp Fan Speed Control
Proven Draft Switch



Listings

ETL listed to:

UL705-Power Venters

UL378-Draft Equipment

CSA-CAN3-B255-M81-Mechanical Flue Gas
Exhausters.

Approvals

CE Compliant

The Commonwealth of Massachusetts

The city of Los Angeles, CA (RR 8474)

OSHPD Preapproval Of Manufacturer's Certification
(OPM) No. OSP-0343-10

Warranty

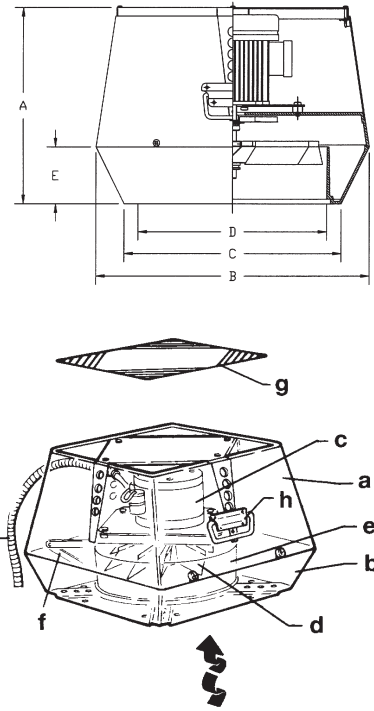
2-year factory warranty on the entire fan.

10-year warranty against corrosion perforation.

Manufactured at ISO9001 certified plant.

Specifications

Model		RSV 009	RSV 012	RSV 014	RSV 016	
Discharge		Vertical				
Fan Type		Axial Vane				
Max. Discharge Velocity	FPM	2,351	2,592	2,593	2,169	
Actual Discharge Velocity	FPM	5.9 x CFM	2.9 X CFM	1.9 x CFM	1.2 x CFM	
Voltage	V AC	1 x 120				
RPM		1600				
Amps	A	0.5	1.4	2.9	5.8	
Power Ratings	kW	0.025	0.10	0.16	0.35	
Weight	lbs	28	46	60	86	
	kg	12	18	26	35	
Dimensions	A	in	9.85	11.03	13.20	14.97
		mm	250	280	335	380
	B x B	in	12.21	15.37	19.11	22.85
		mm	310	390	485	580
	C x C	in	9.46	12.22	15.17	18.32
		mm	240	310	385	465
	D Ø	in	8.63	10.72	13.04	14.26
		mm	219	272	331	362
	E	in	2.76	3.15	3.94	4.53
		mm	70	80	100	115
	Temperature Rating	Interm.	625°F/329°C			
		Cont.	575°F/302°C			
Motor Starter Required		No	No	No	No	
Variable Speed Motor		Yes	Yes	Yes	Yes	

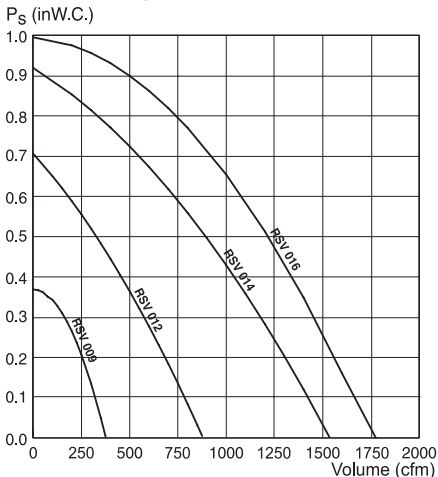


Sound Diagram

Model	Lw dB (measured in accordance with ISO 3744)							Lp dB(A)
	125Hz	250Hz	500Hz	1000Hz	2000Hz	4000Hz	8000Hz	
RSV 009	57	55	54	49	40	35	26	26
RSV 012	64	62	61	55	51	46	40	33
RSV 014	71	70	68	61	56	50	44	40
RSV 016	76	76	70	65	60	55	49	44

- a Top Section
- b Bottom Section
- c Motor
- d Axial Vane
- e Inlet for Axial Vane
- f Locking Hinge
- g Bird Screen
- h Carrying Handle
- i Wiring Conduit

Capacity



Plume Height

